



MIAMI-DADE COUNTY
BUILDING CODE COMPLIANCE OFFICE (BCCO)
PRODUCT CONTROL DIVISION

MIAMI-DADE COUNTY, FLORIDA
METRO-DADE FLAGLER BUILDING

140 WEST FLAGLER STREET, SUITE 1603
MIAMI, FLORIDA 33130-1563
(305) 375-2901 FAX (305) 375-2908

NOTICE OF ACCEPTANCE (NOA)

www.miamidade.gov/buildingcod

Enduris, LLC
7167 Old Kings Road
Jacksonville, FL 32219

SCOPE:

This NOA is being issued under the applicable rules and regulations governing the use of construction materials. The documentation submitted has been reviewed by Miami-Dade County Product Control Division and accepted by the Board of Rules and Appeals (BORA) to be used in Miami Dade County and other areas where allowed by the Authority Having Jurisdiction (AHJ).

This NOA shall not be valid after the expiration date stated below. The Miami-Dade County Product Control Division (In Miami Dade County) and/or the AHJ (in areas other than Miami Dade County) reserve the right to have this product or material tested for quality assurance purposes. If this product or material fails to perform in the accepted manner, the manufacturer will incur the expense of such testing and the AHJ may immediately revoke, modify, or suspend the use of such product or material within their jurisdiction. BORA reserves the right to revoke this acceptance, if it is determined by Miami-Dade County Product Control Division that this product or material fails to meet the requirements of the applicable building code.

This product is approved as described herein, and has been designed to comply with the High Velocity Hurricane Zone of the Florida Building Code.

DESCRIPTION: PVC Privacy Fence Panels

APPROVAL DOCUMENT: Drawing No. S-4083, titled " PVC Privacy Fence ", dated June 04, 2009, last revision #1 dated February 02, 2010, sheets 1 through 4 of 4, signed and sealed by Ryan J. King, P.E., bearing the Miami-Dade County Product Control Approval stamp with the Notice of Acceptance number and the approval date by the Miami-Dade County Product Control Division.

MISSILE IMPACT RATING: None

LABELING: Each fence panel shall bear a permanent label with the manufacturer's name or logo, city, state and the following statement: "Miami-Dade County Product Control Approved", unless otherwise noted herein.

RENEWAL of this NOA shall be considered after a renewal application has been filed and there has been no change in the applicable building code negatively affecting the performance of this product.

TERMINATION of this NOA will occur after the expiration date or if there has been a revision or change in the materials, use, and/or manufacture of the product or process. Misuse of this NOA as an endorsement of any product, for sales, advertising or any other purposes shall automatically terminate this NOA. Failure to comply with any section of this NOA shall be cause for termination and removal of NOA.

ADVERTISEMENT: The NOA number preceded by the words Miami-Dade County, Florida, and followed by the expiration date may be displayed in advertising literature. If any portion of the NOA is displayed, then it shall be done in its entirety.

INSPECTION: A copy of this entire NOA shall be provided to the user by the manufacturer or its distributors and shall be available for inspection at the job site at the request of the Building Official.

This NOA consists of this page 1, evidence submitted pages E-1 and E-2 as well as approval document mentioned above.

The submitted documentation was reviewed by **Helmy A. Makar, P.E., M.S.**



Helmy A. Makar
03/03/2010

NOA No. 09-0728.04
Expiration Date: 03/03/2015
Approval Date: 03/03/2010

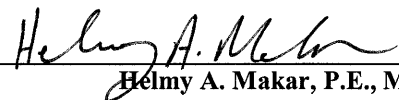
NOTICE OF ACCEPTANCE: EVIDENCE SUBMITTED

A. DRAWINGS

1. *Drawing No. S-4083, titled " PVC Privacy Fence ", dated June 04, 2009, last revision #1 dated February 02, 2010, sheets 1 through 4 of 4, signed and sealed by Ryan J. King, P.E.*

B. TESTS

1. *Test Report # 07-01150166, dated 06/22/2007, issued by Testing Evaluation Lab., Inc., for **white PVC**, per ASTM G155, signed and sealed by Wendell W. Haney, P.E.*
2. *Test Report # 07-01150169, dated 06/22/2007, issued by Testing Evaluation Lab., Inc., for **white PVC**, per ASTM D635, signed and sealed by Wendell W. Haney, P.E.*
3. *Test Report # 07-01150160, dated 06/22/2007, issued by Testing Evaluation Lab., Inc., for **white PVC**, per ASTM D2843, signed and sealed by Wendell W. Haney, P.E.*
4. *Test Report # 07-01150163, dated 06/22/2007, issued by Testing Evaluation Lab., Inc., for **white PVC**, per ASTM D1929, signed and sealed by Wendell W. Haney, P.E.*
5. *Test Report # 07-01150167, dated 06/22/2007, issued by Testing Evaluation Lab., Inc., for **Khaki PVC**, per ASTM G155, signed and sealed by Wendell W. Haney, P.E.*
6. *Test Report # 07-01150170, dated 06/22/2007, issued by Testing Evaluation Lab., Inc., for **Khaki PVC**, per ASTM D635, signed and sealed by Wendell W. Haney, P.E.*
7. *Test Report # 07-01150161, dated 06/22/2007, issued by Testing Evaluation Lab., Inc., for **Khaki PVC**, per ASTM D2843, signed and sealed by Wendell W. Haney, P.E.*
8. *Test Report # 07-01150164, dated 06/22/2007, issued by Testing Evaluation Lab., Inc., for **Khaki PVC**, per ASTM D1929, signed and sealed by Wendell W. Haney, P.E.*
9. *Test Report # 07-01150168, dated 06/22/2007, issued by Testing Evaluation Lab., Inc., for **AmeriChem Khaki PVC**, per ASTM G155, signed and sealed by Wendell W. Haney, P.E.*
10. *Test Report # 07-01150171, dated 06/22/2007, issued by Testing Evaluation Lab., Inc., for **AmeriChem Khaki PVC**, per ASTM D635, signed and sealed by Wendell W. Haney, P.E.*
11. *Test Report # 07-01150162, dated 06/22/2007, issued by Testing Evaluation Lab., Inc., for **AmeriChem Khaki PVC**, per ASTM D2843, signed and sealed by Wendell W. Haney, P.E.*
12. *Test Report # 07-01150165, dated 06/22/2007, issued by Testing Evaluation Lab., Inc., for **AmeriChem Khaki PVC**, per ASTM D1929, signed and sealed by Wendell W. Haney, P.E.*
13. *Test Report # 01150128, dated 06/05/2009, issued by Testing Evaluation Lab., Inc., for **PVC Fence**, per Gravity Load Test, signed and sealed by Lyndon F. Schmidt, P.E.*



Helmy A. Makar, P.E., M.S.
Senior Product Control Examiner

NOA No. 09-0728.04

Expiration Date: 03/03/2015

Approval Date: 03/03/2010

Enduris, LLC

NOTICE OF ACCEPTANCE: EVIDENCE SUBMITTED

C. CALCULATIONS

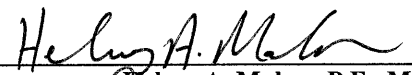
1. *Fence and Post Analysis, dated February 03, 2010, one sheet, signed and sealed by Ryan J. King, P.E.*

D. QUALITY ASSURANCE

1. *By Miami-Dade County Building Code Compliance Office.*

E. MATERIAL CERTIFICATIONS

1. *None.*



Helmy A. Makar, P.E., M.S.
Senior Product Control Examiner
NOA No. 09-0728.04

Expiration Date: 03/03/2015
Approval Date: 03/03/2010



ENDURIS EXTRUSIONS

7167 OLD KINGS ROAD
JACKSONVILLE, FLORIDA 32219

PVC PRIVACY FENCE

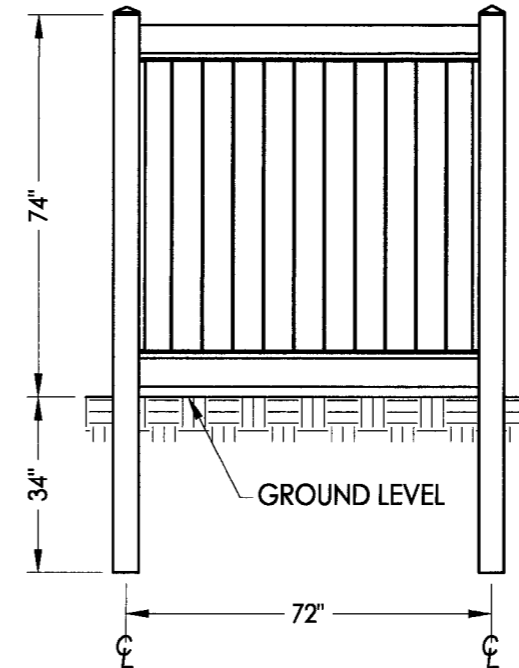
GENERAL NOTES

1. This product is designed to comply with the "HVHZ" Florida Building Code.
2. For wind load rating see chart this sheet.
3. Installation of this fence shall be based on this product approval documents with no deviation from the conditions detailed on this document.
4. This Product Approval Document (P.A.D.) will be considered invalid if modified.
5. Site specific projects shall be prepared by a Florida Licensed Engineer or Architect which will become the Professional Of Record (P.O.R.) for the project and who will be responsible for the proper use of this P.A.D.
6. This fence manufacturer's permanent label shall be placed at each fence assembly. The permanent label shall read as follows:
Enduris, LLC
Jacksonville, FL
Miami - Dade County
Product Control Approved
7. Tested in accordance with Metro-Dade county performance test requirements as reported in test report # TEL 01150128 issued by Testing Evaluation Laboratory.
8. The fence post, rails and pickets are a coextruded part with a min. 0.020" (+/- .005") cap stock which contains "UV" inhibitors. All parts shall be made of PVC that is manufactured by Enduris Extrusions. Refer to PVC material specifications for tested properties.

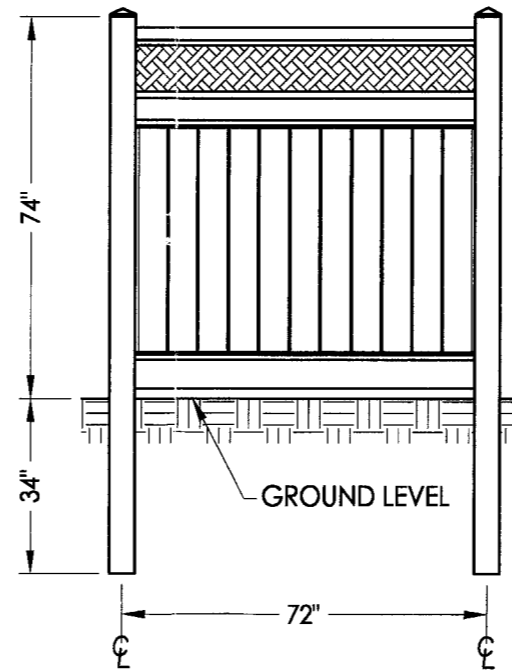
WIND LOAD RATING

This fence and it's vertical supports are designed/tested for 75 mph fastest mile wind speed or 90 mph 3-second gust in compliance with section 1612.2.1 of the Florida Building Code (design pressure = 15.0 psf).

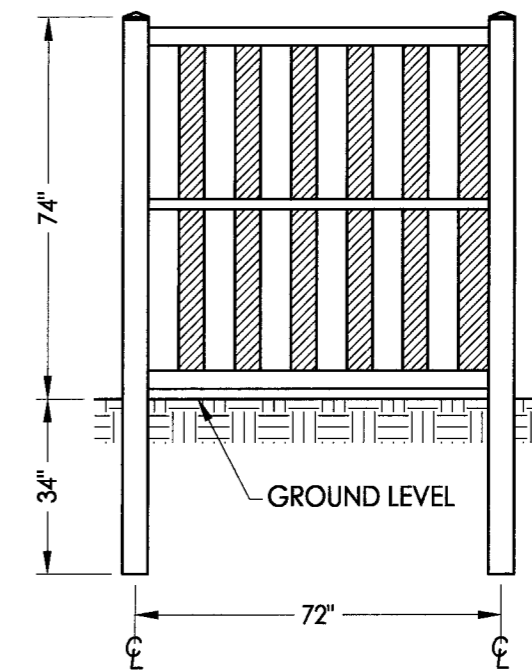
TABLE OF CONTENTS	
SHEET #	DESCRIPTION
1	Typical elevation & general notes
2	Slotted rail fence details
3	Slotted rail w/ lattice fence details
4	Shadow box fence details



SLOTTED RAIL FENCE
(SEE SHEET 2 OF 4)



SLOTTED RAIL W/ LATTICE FENCE
(SEE SHEET 3 OF 4)



SHADOW BOX FENCE
(SEE SHEET 4 OF 4)

Approved as complying with the Florida Building Code
Date 03/03/2010
NOA# 09-0728.04
Miami Dade Product Control
Division
By *Heather H. Walker*

Documents Prepared By:
RW BUILDING CONSULTANTS, INC.
P.O. Box 230 Valrico FL 33595
Phone No.: 813.659.9197
Florida Board of Professional Engineers
Certificate Of Authorization No. 9813
Ryan J. King 2-3-10
Ryan J. King P.E. No. 64619

PRODUCT:	PVC PRIVACY FENCE
PART OR ASSEMBLY:	TYPICAL ELEVATIONS & GENERAL NOTES

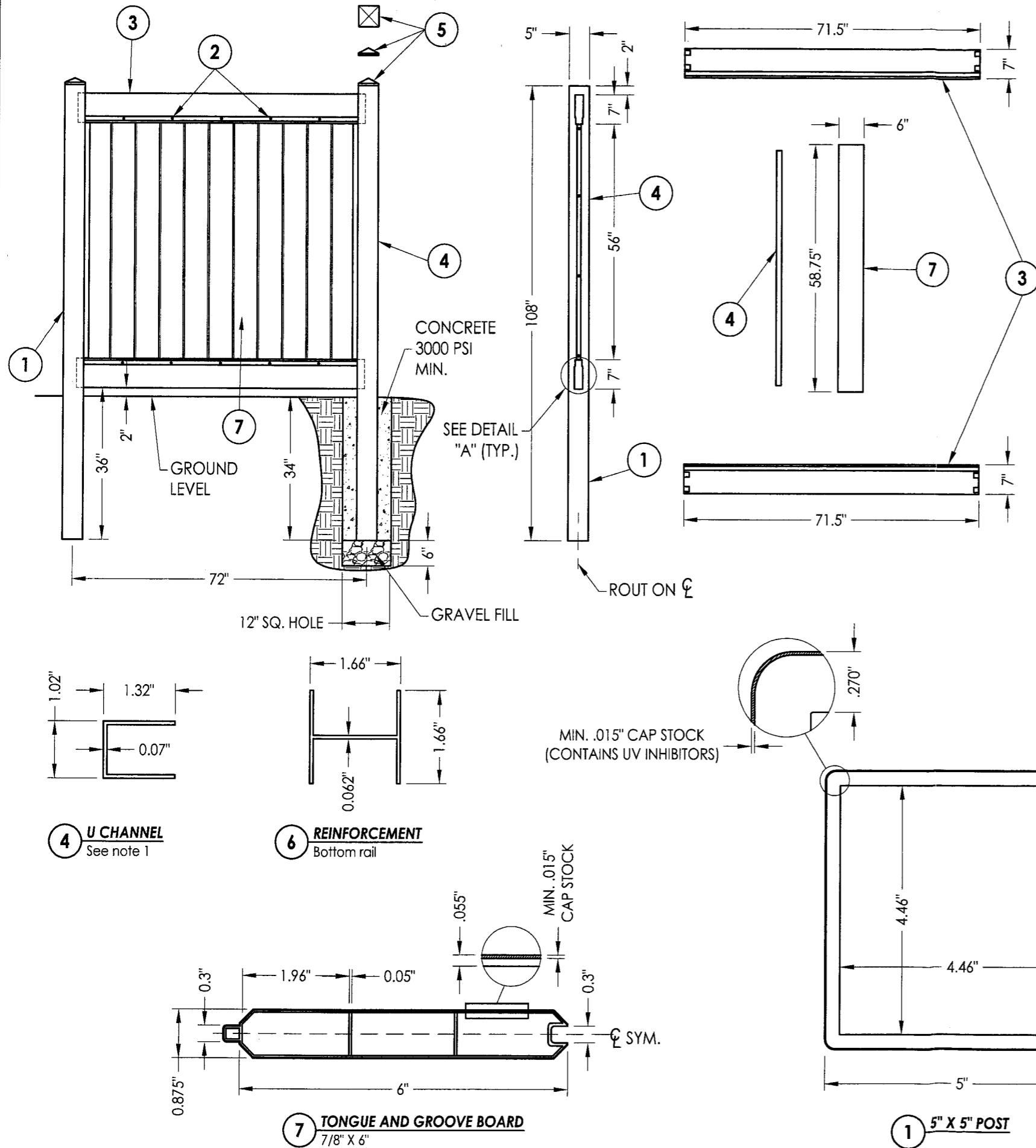
NO.	DATE	REVISED PER	DADE COMMENTS	BY
1	2/02/10			LFS

DATE: 6/4/09
SCALE: N.T.S.
DWG. BY: AL
CHK. BY: RJK
DRAWING NO.: S-4083
SHEET 1 OF 4

PVC Material Specifications	Test	PVC Properties		
		White	Khaki	Americhem Khaki
Rate of Burning	ASTM D635	Class C-1	Class C-1	Class C-1
Self-Igintion Temperature (Spontaneous)	ASTM D1929	806°F > 650°F	788°F > 650°F	788°F > 650°F
Average Smoke Density Rating	ASTM D2843	71.2% < 75%	52.8% < 75%	42.2% < 75%
Tensile Strength (Difference Exposed & Unexposed)	ASTM 638	-1.4% < 10%	-1.4% < 10%	-2.5% < 10%

R:\A - Projects\Project Folders\proj_1401-1500\PE 1480\DWG_R\WBC Drawings\4083\S-4083.dwg, S-4083

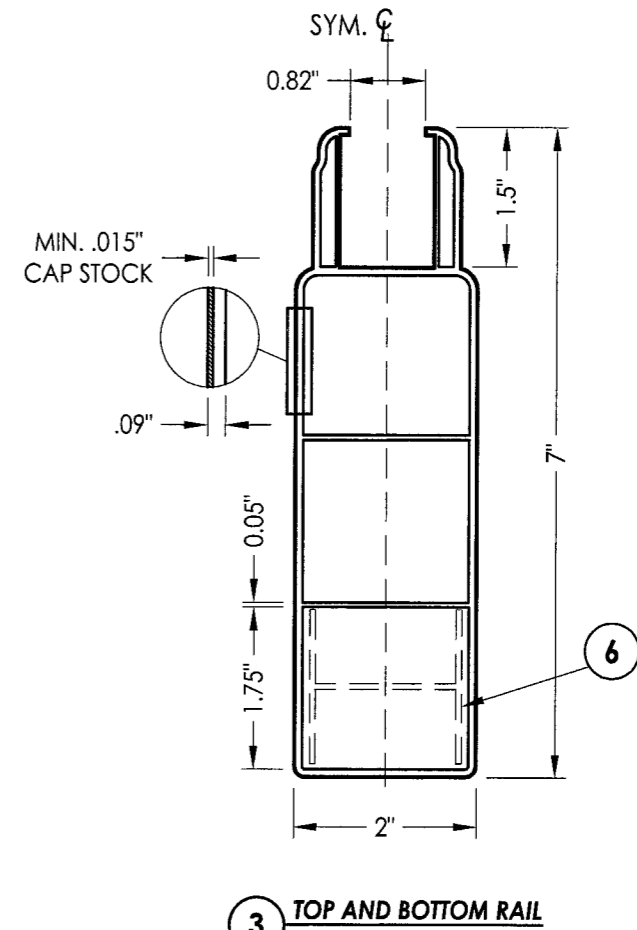
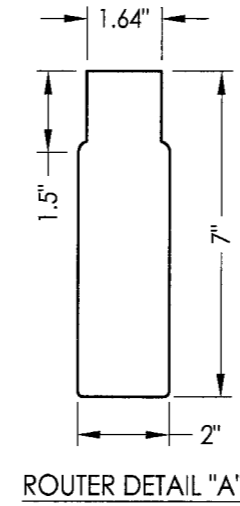
© 2009 R.W. BUILDING CONSULTANTS INC.



BILL OF MATERIALS		
ITEM	DESCRIPTION	MATERIAL
1	5" X 5" POST	PVC
2	#8 X .75" PH SELF TAPPING SCREW	STEEL
3	TOP AND BOTTOM RAIL	PVC
4	U CHANNEL	PVC
5	END CAP	PVC
6	BOTTOM RAIL REINFORCEMENT	6005-T5 ALUM.
7	TONGUE AND GROOVE BOARD (7/8" X 6")	PVC

NOTES:

- "U" channel is attached to the fence post with #8 x .75" self tapping screw located @ 2.5" from the top and bottom with 2 more max. 17" on center.



4 U CHANNEL
See note 1

6 REINFORCEMENT
Bottom rail

7 TONGUE AND GROOVE BOARD
7/8" X 6"

1 5" X 5" POST

3 TOP AND BOTTOM RAIL

PRODUCT:

PVC PRIVACY FENCE

PART OR ASSEMBLY:

SLOTTED RAIL FENCE DETAILS

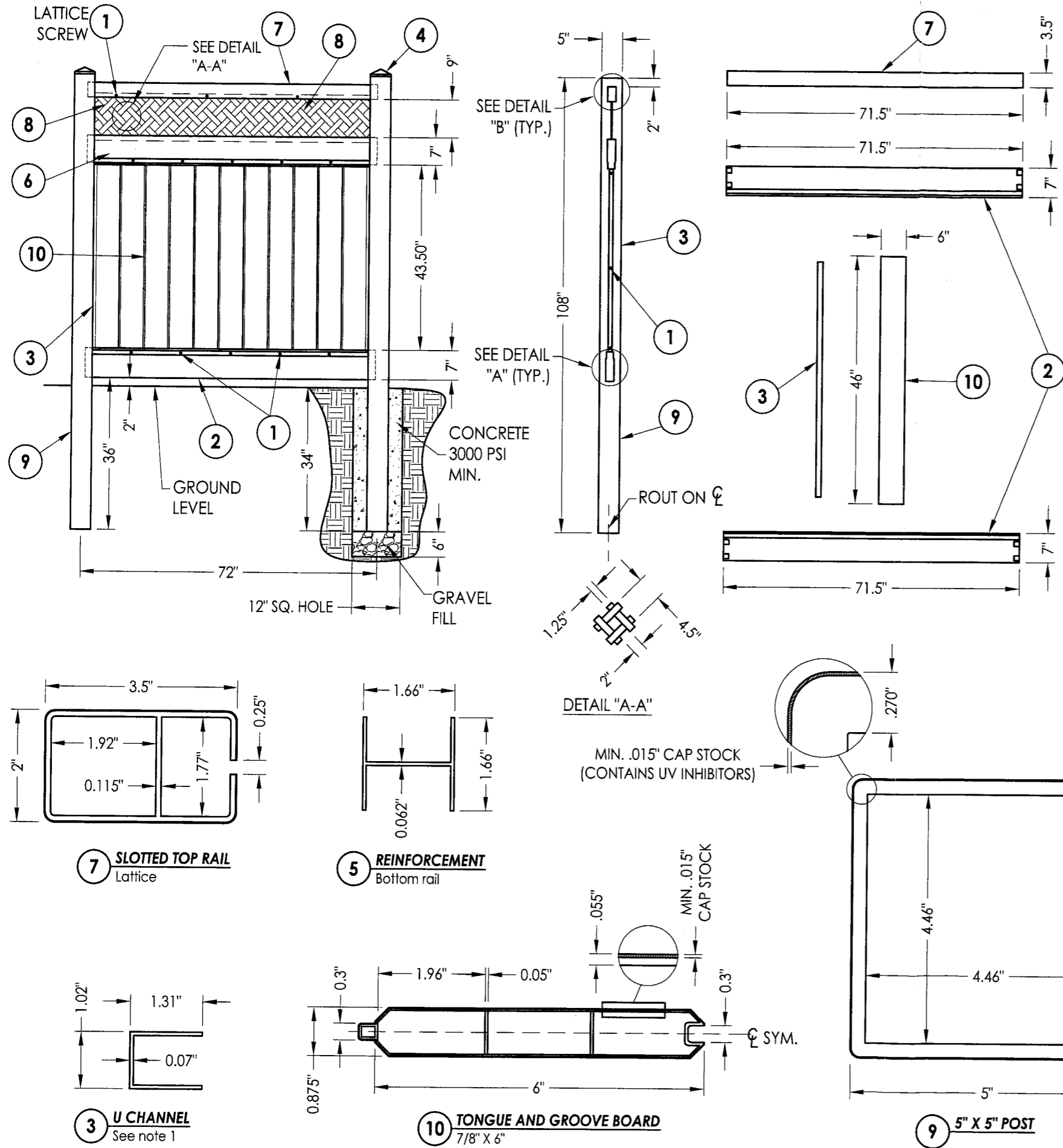
DATE:	6/4/09
SCALE:	N.T.S.
DWG. BY:	AL
CHK. BY:	RJK
DRAWING NO.:	S-4083
SHEET	2 OF 4

Approved as complying with the Florida Building Code
 Date 03/03/2010
 NOA# 04-0728.04
 Miami Dade Product Control
 Division
 By *Heather A. Mohr*

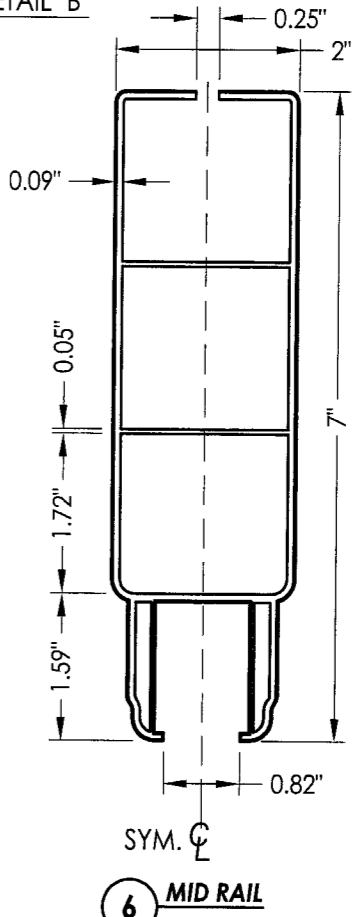
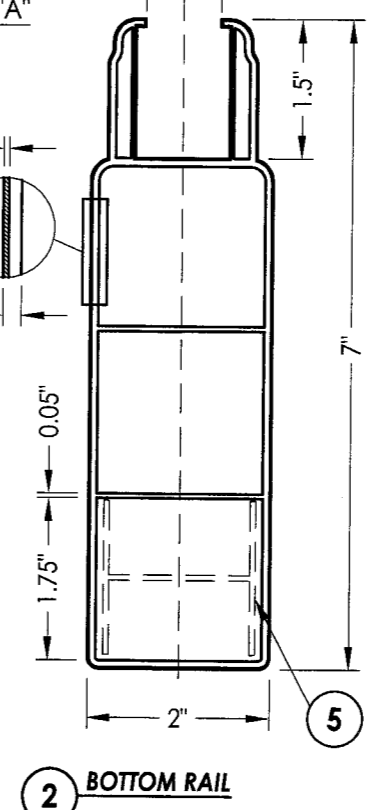
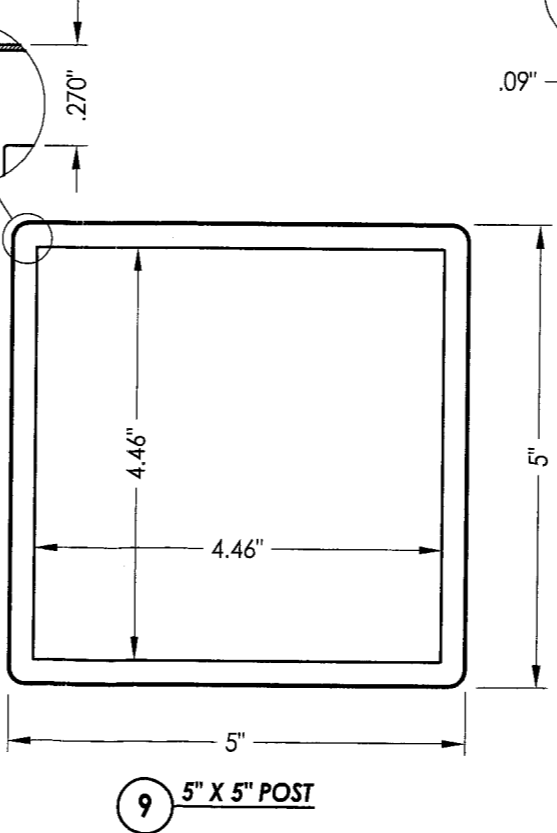
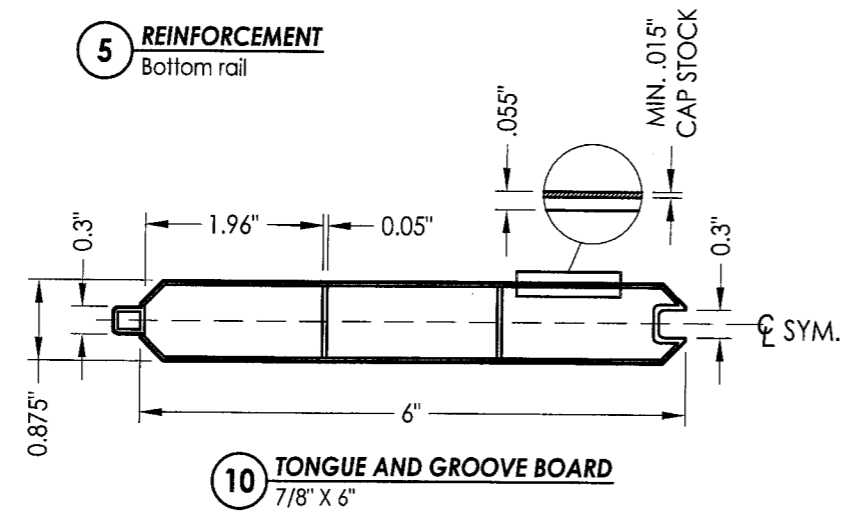
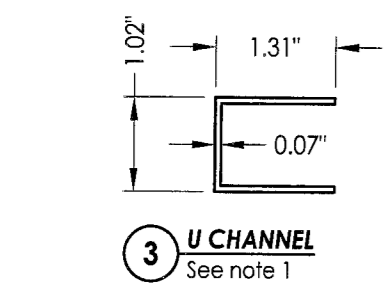
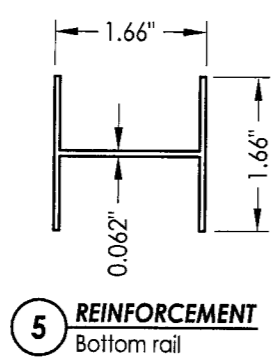
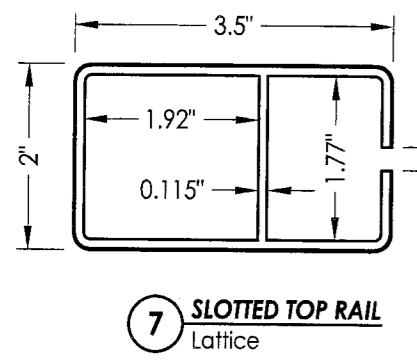
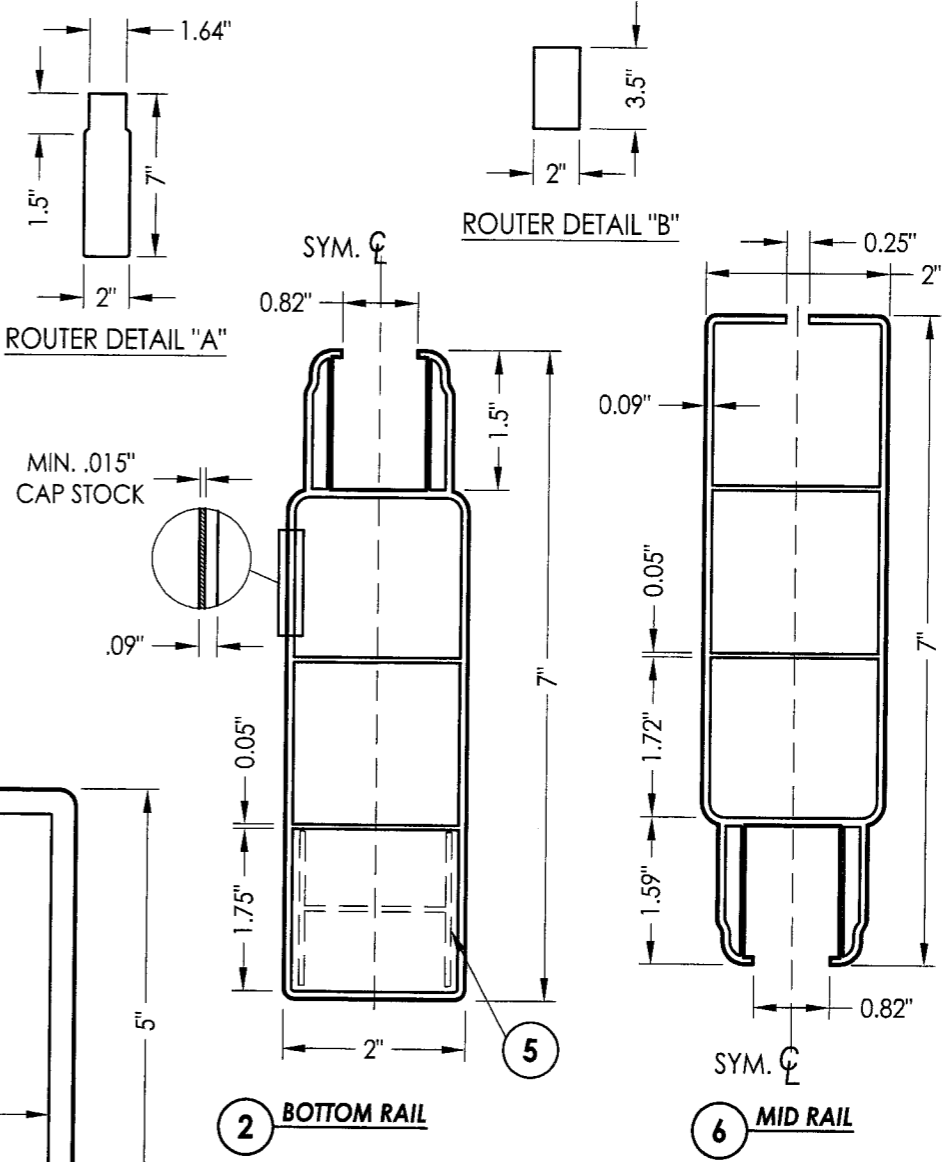
NO.	DATE	REVISED PER	COMMENTS	LFS	BY
1	2/02/10	REVISED PER	DADE COMMENTS		

Documents Prepared By:

RW BUILDING CONSULTANTS, INC.
 P.O. Box 230 Valrico FL 33595
 Phone No.: 813.659.9197
 Florida Board of Professional Engineers
 Certificate of Authorization No. 9913
Ryan J. King 2-3-10
 Ryan J. King P.E. No. 64695



BILL OF MATERIALS		
ITEM	DESCRIPTION	MATERIAL
1	#8 X .75" PH SELF TAPPING SCREW	STEEL
2	BOTTOM RAIL	PVC
3	U CHANNEL	PVC
4	END CAP	PVC
5	BOTTOM RAIL REINFORCEMENT	6005-T5 ALUM.
6	MID RAIL	PVC
7	TOP RAIL	PVC
8	LATTICE	PVC
9	5" X 5" POST	PVC
10	TONGUE AND GROOVE BOARD (7/8" X 6")	PVC



Approved as complying with the Florida Building Code
 Date 03/03/2010
 NOA# 09-0728.04
 Miami Dade Product Control
 Division
 By *Helmut A. Meier*

Documents Prepared By: **RW BUILDING CONSULTANTS, INC.**
 P.O. Box 230 Vairico FL 33595
 Phone No.: 813.659.9197
 Florida Board of Professional Engineers
 Certificate Of Authorization No. 9813
Ryan J. King
 Ryan J. King P.E. No. 64619

PRODUCT: PVC PRIVACY FENCE

PART OR ASSEMBLY: SLOTTED RAIL W/ LATTICE FENCE DETAILS

NO.	DATE	REVISED PER	DADE COMMENTS	LFS	BY
1	2/02/10				

REVISIONS

DATE: 6/4/09

SCALE: N.T.S.

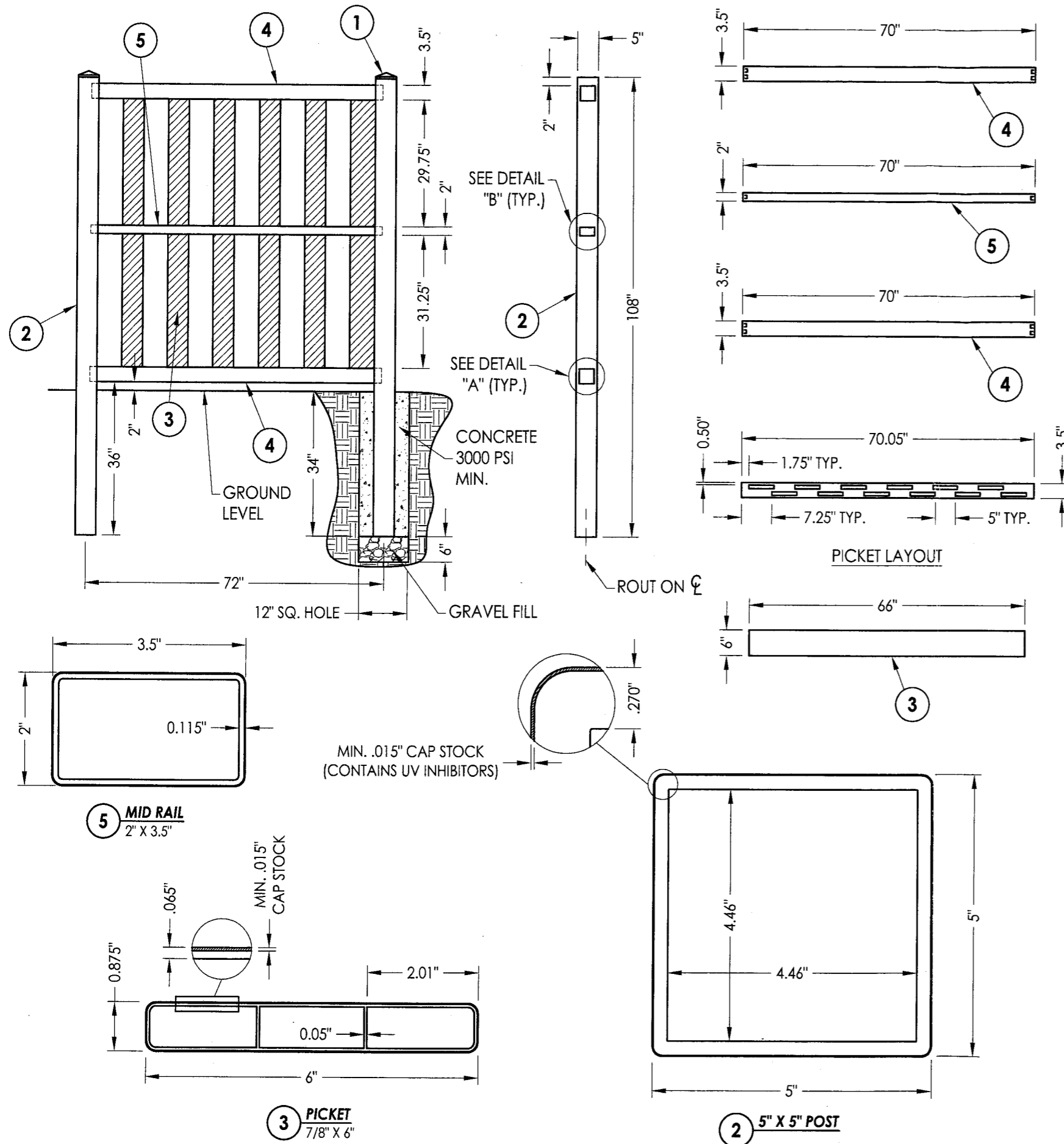
DWG. BY: AL

CHK. BY: RJK

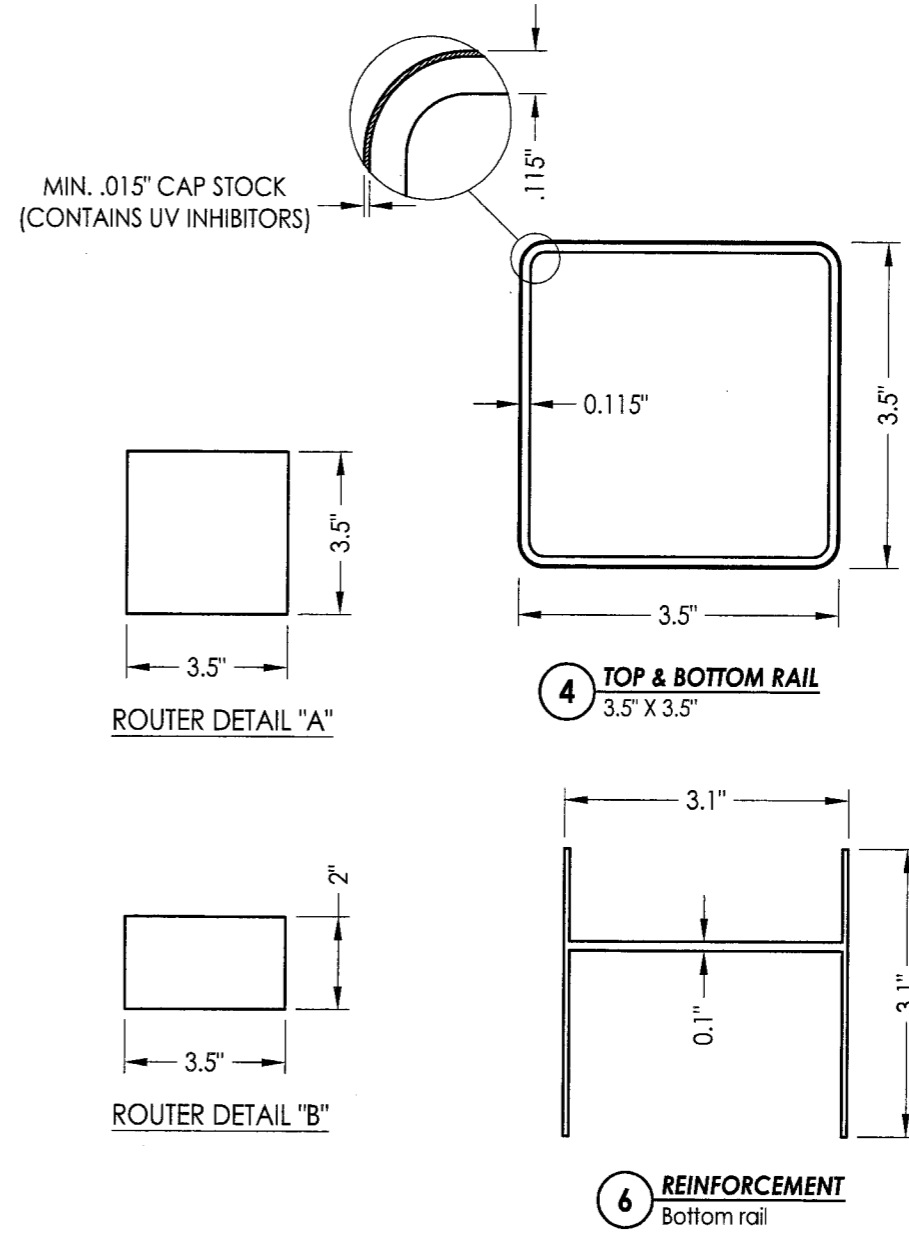
DRAWING NO.: S-4083

SHEET 3 OF 4

© 2009 R.W. BUILDING CONSULTANTS INC.



BILL OF MATERIALS		
ITEM	DESCRIPTION	MATERIAL
1	END CAP	PVC
2	5" X 5" POST	PVC
3	PICKET (7/8" X 6")	PVC
4	TOP & BOTTOM RAIL 3.5" X 3.5"	PVC
5	MID RAIL 3.5" X 2"	PVC
6	BOTTOM RAIL REINFORCEMENT	6005-T5 ALUM.



Documents Prepared By:
RW BUILDING CONSULTANTS, INC.
 P.O. Box 230 Vairico FL 33595
 Phone No.: 813.659.9197
 Florida Board of Professional Engineers
 Certificate of Authorization No. 9813
 Ryan J. King P.E. No. 44819

PRODUCT: PVC PRIVACY FENCE
 PART OR ASSEMBLY: SHADOW BOX FENCE DETAILS

NO.	DATE	REVISED PER	COMMENTS	LFS	BY
1	2/02/10				

Approved as complying with the Florida Building Code
 Date 03/03/2010
 NOA# 09-0728.04
 Miami Dade Product Control
 Division
 By *Helmut A. Miller*

DATE: 6/4/09
 SCALE: N.T.S.
 DWG. BY: AL
 CHK. BY: RJK
 DRAWING NO.: S-4083
 SHEET 4 OF 4